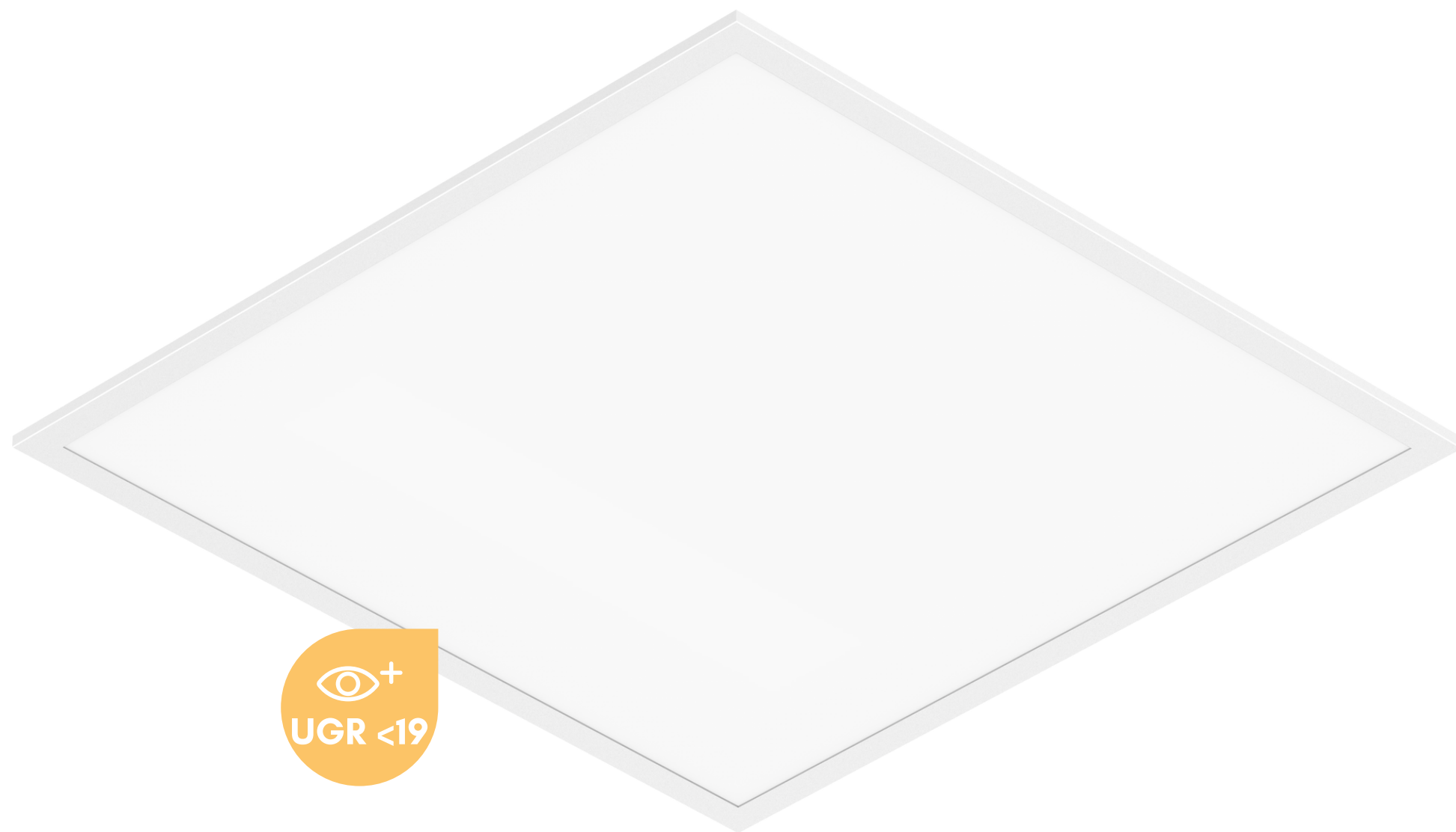


# BOX BRIGHT

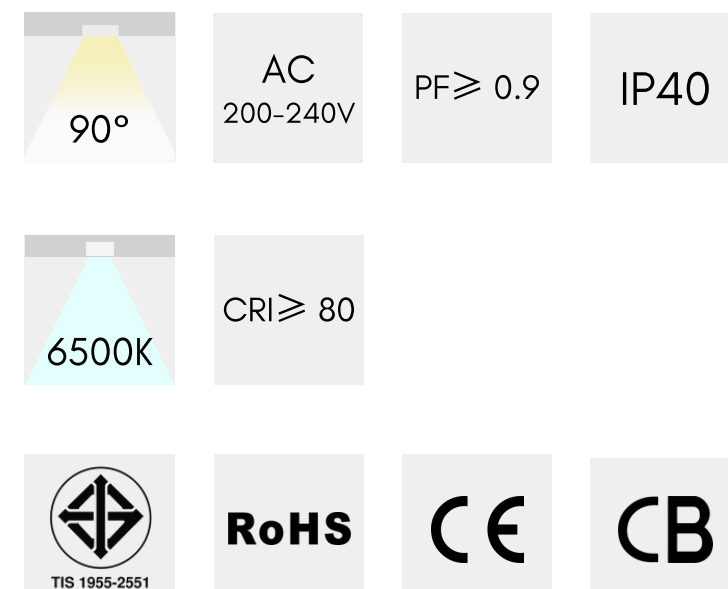
By Boviga

## LED PANEL LIGHT CK SERIES



### SPECIFICATIONS

Code	: BB-PL6060-CK-36W
Brand	: BOX BRIGHT
Dimension(mm)	: 595x595x32
Wattage (W)	: 36W
Lumen ( $\pm 5\%$ )	: 3600lm
LED Chip	: SMD
Lifetime (hrs)	: 50,000 hrs
Operating Temp. ( $^{\circ}\text{C}$ )	: $-10^{\circ}\text{C} \sim 40^{\circ}\text{C}$
Product Finishing (Base)	: White
Material	: PMMA(Lens) + PS(Diffuser) + Aluminum(Frame)
Dimable	: N/A
CCT	: 6500K
Installation	: Surface mount/ Pendant/ Recessed



# BOX BRIGHT

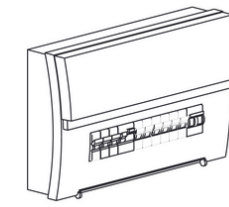
By Boviga

# LED PANEL LIGHT CK SERIES

## INSTALLATION PROCEDURE

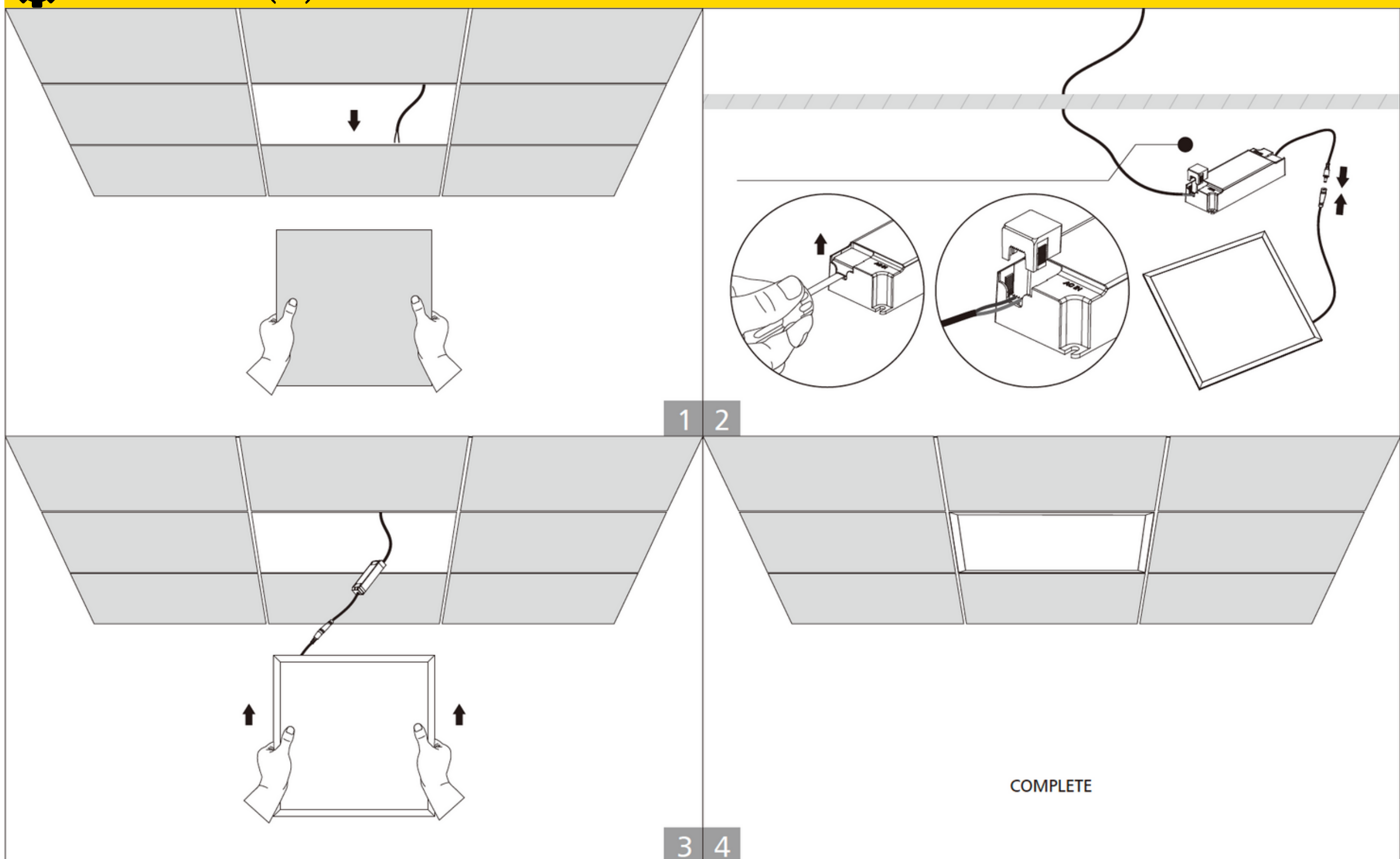
### WARNING

1. Switch off before installation.
2. Switch on only after complete installation and examination of the circuit.
3. Professional electrician for installation and maintenance only.



- Turn Off power supply before starting any installation. Read instructions & check you have all the tools & accessories to complete the installation correctly.

### Recessed(1)



# BOX BRIGHT

By Boviga

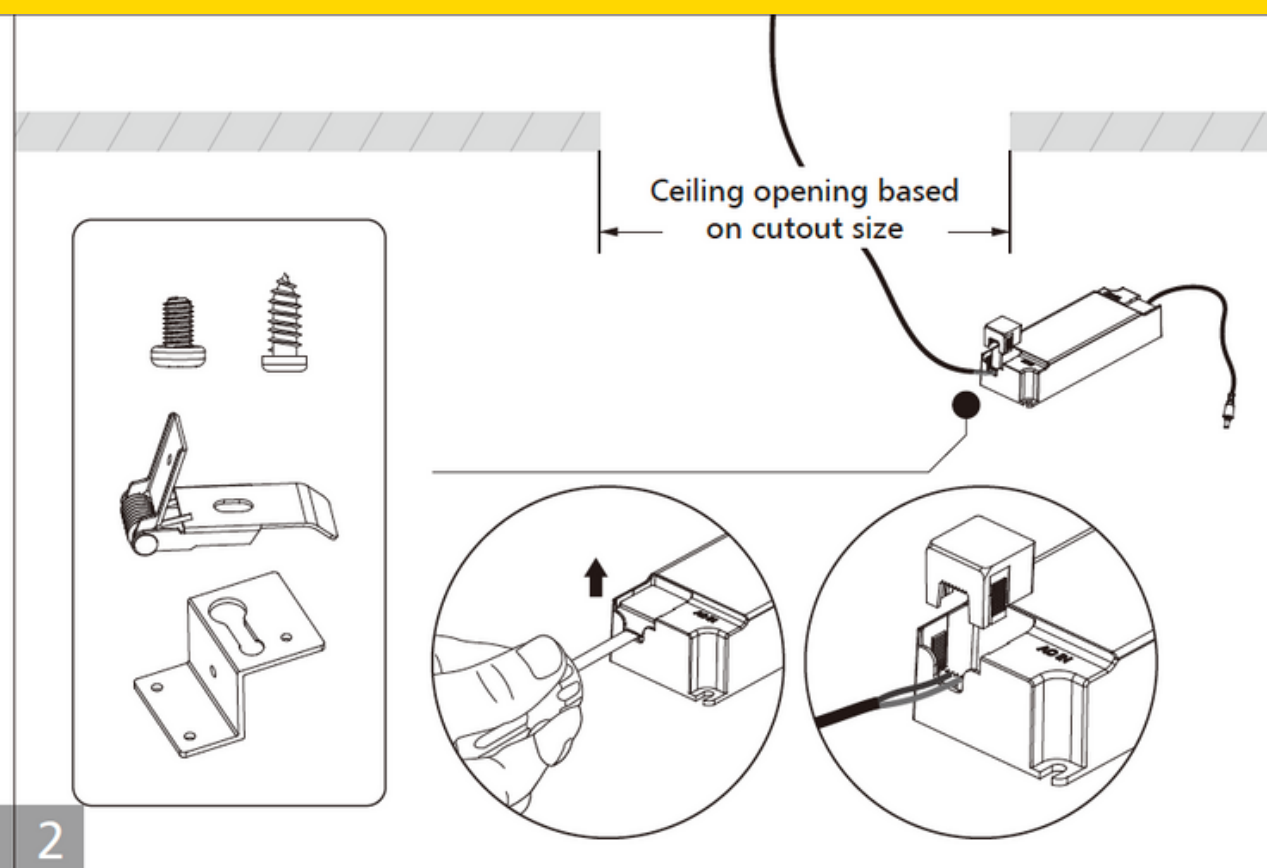
# LED PANEL LIGHT CK SERIES

## INSTALLATION PROCEDURE

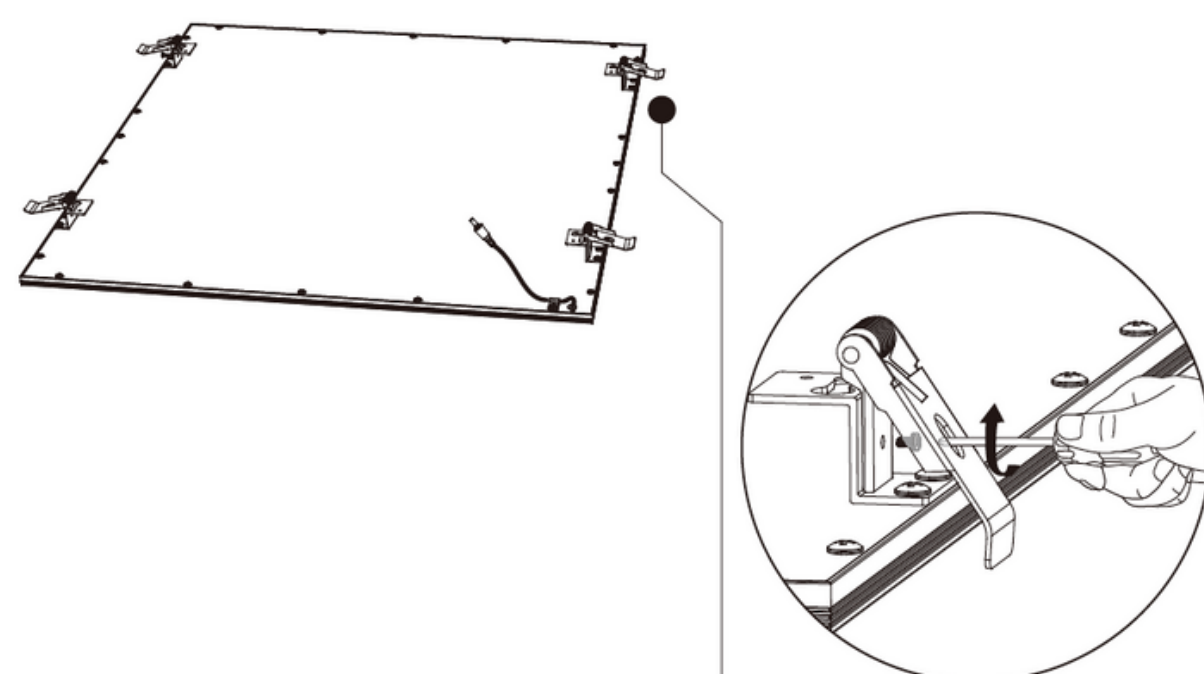
### ⚙️ Recessed(2)

Cutout Size			
Panel Size	Cutout	Panel Size	Cutout
295x295mm	270x270mm	620x620mm	590x590mm
295x595mm	270x570mm	295x1195mm	270x1170mm
595x595mm	570x570mm	595x1195mm	570x1170mm

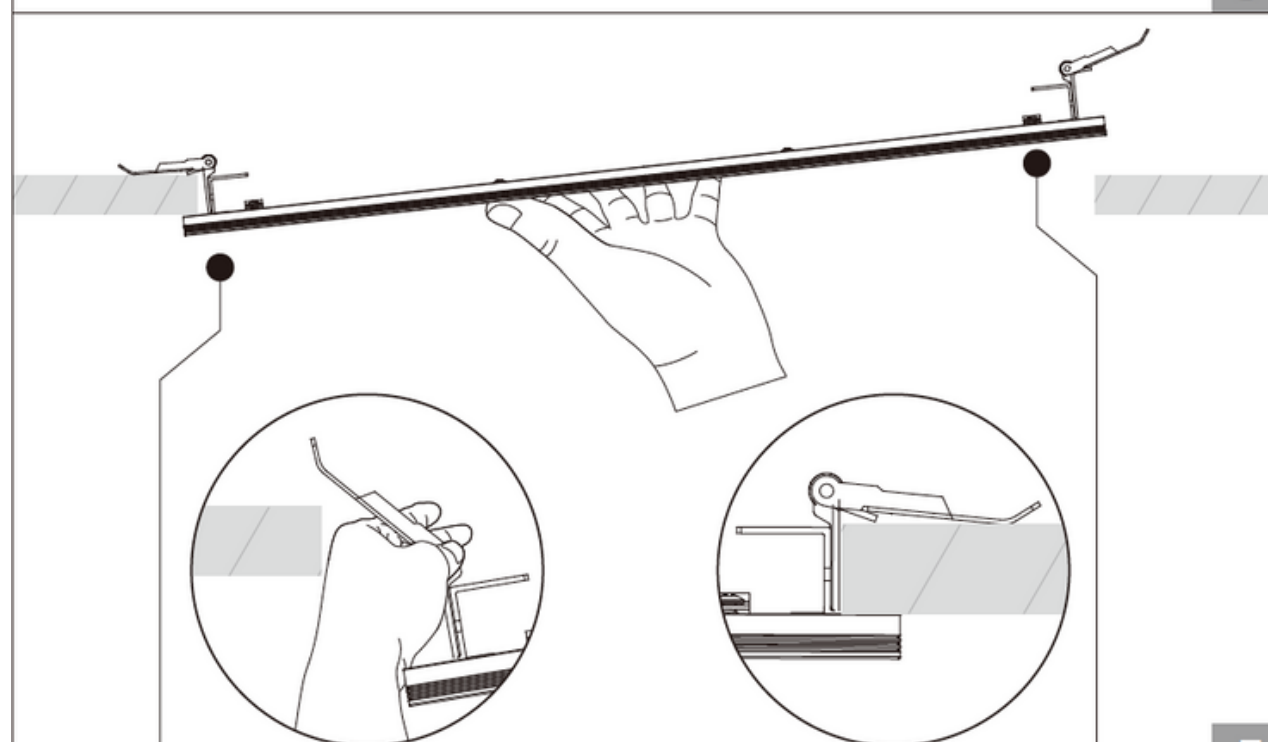
Clips should be purchased separately as an accessory



1 2



3 4



5 6

COMPLETE

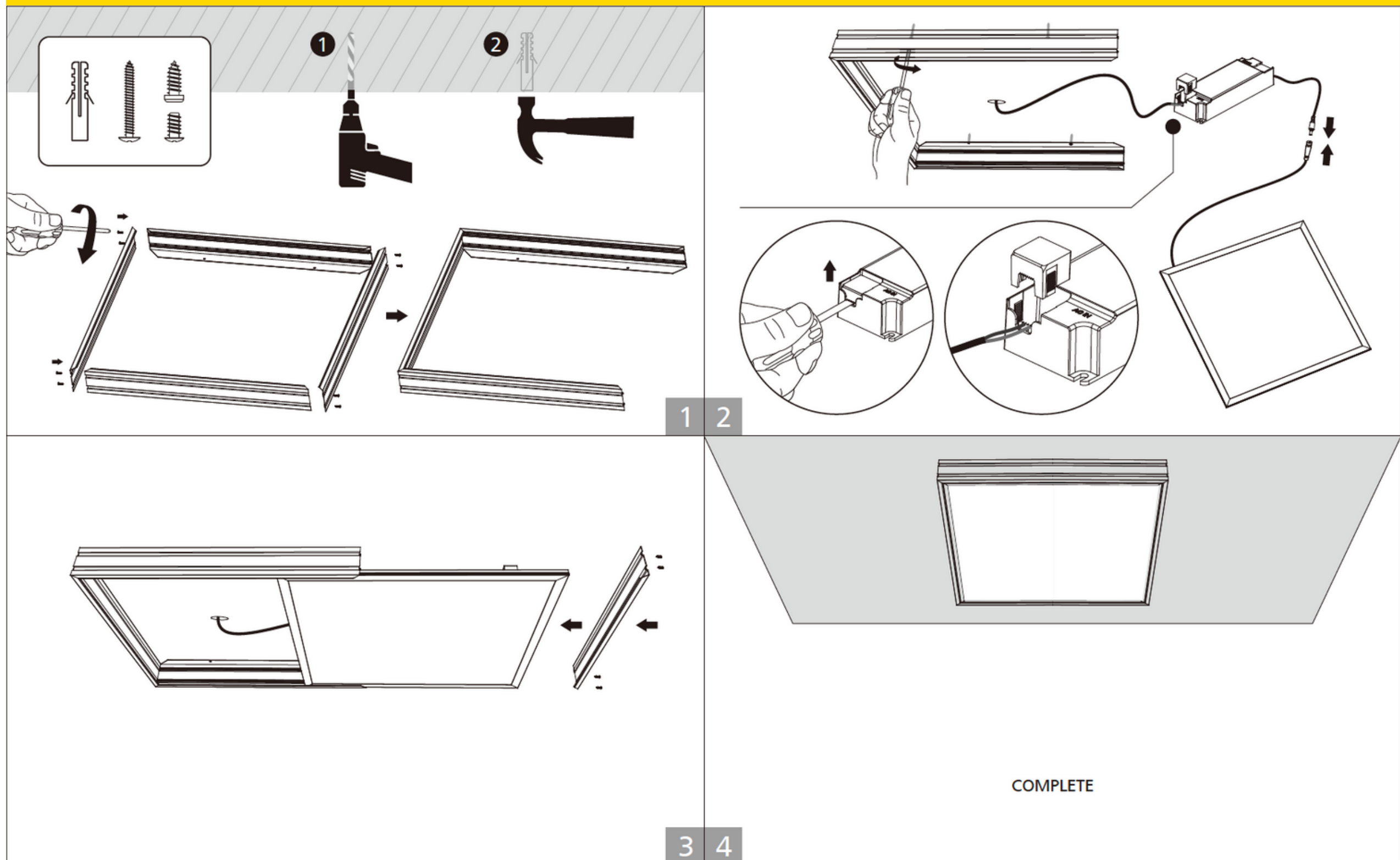
# BOX BRIGHT

By Boviga

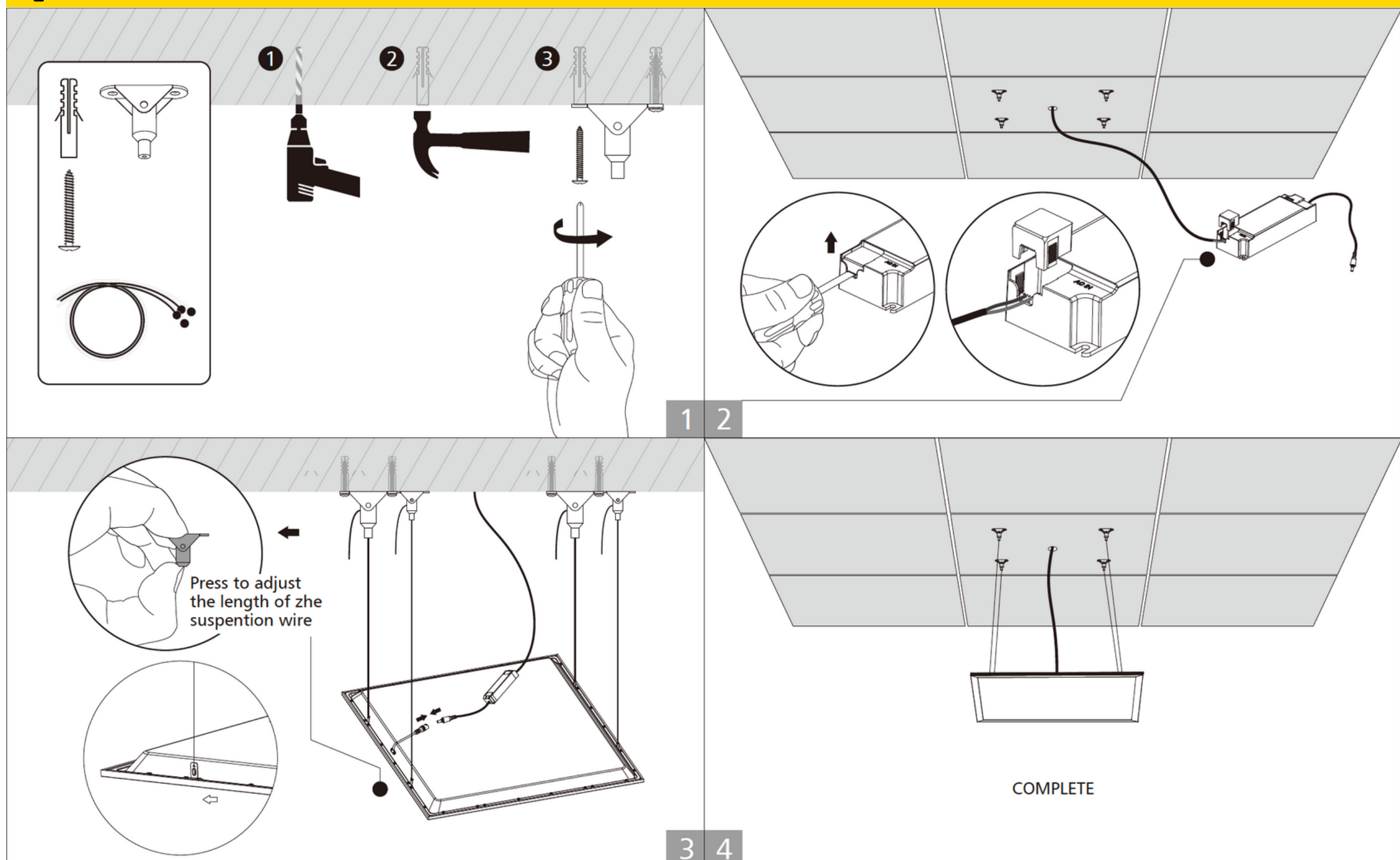
# LED PANEL LIGHT CK SERIES

## INSTALLATION PROCEDURE

### ⚙️ Surface Mount



### ⚙️ Pendant



BOX BRIGHT GROUP CO.,LTD.

99/1-5 SOI PHUTTHABUCHA 39, BANGMOD, TUNGKRU, 10140 THAILAND

e-mail : sales.boviga@gmail.com

tel : 02-408-4236

web : www.boviga.com

